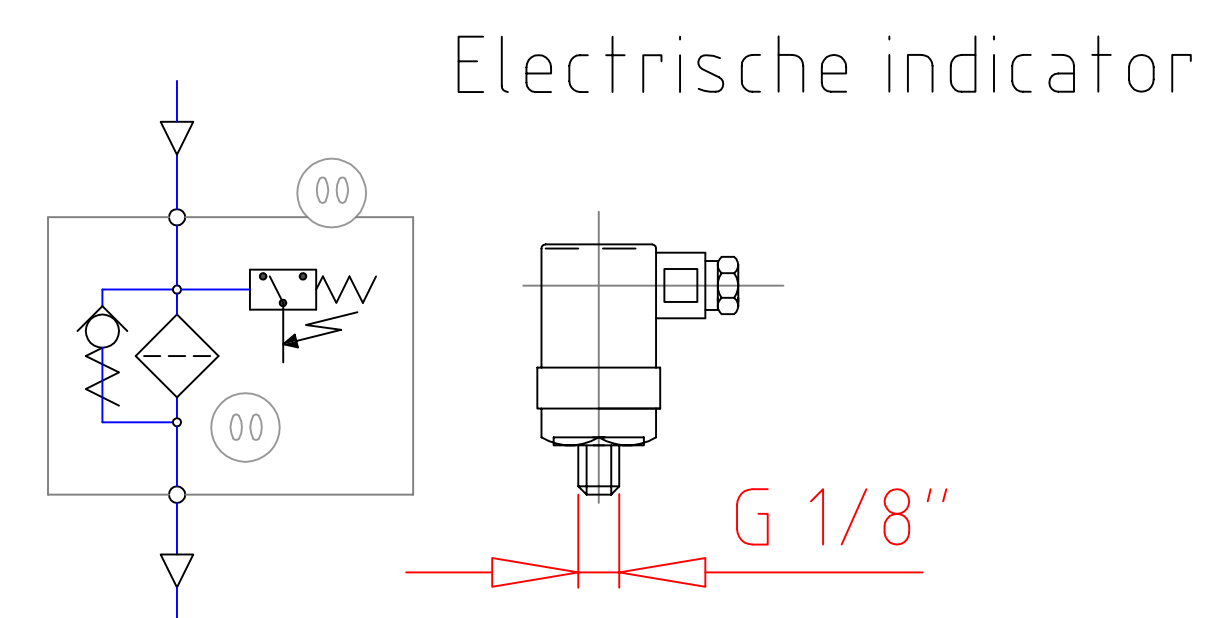
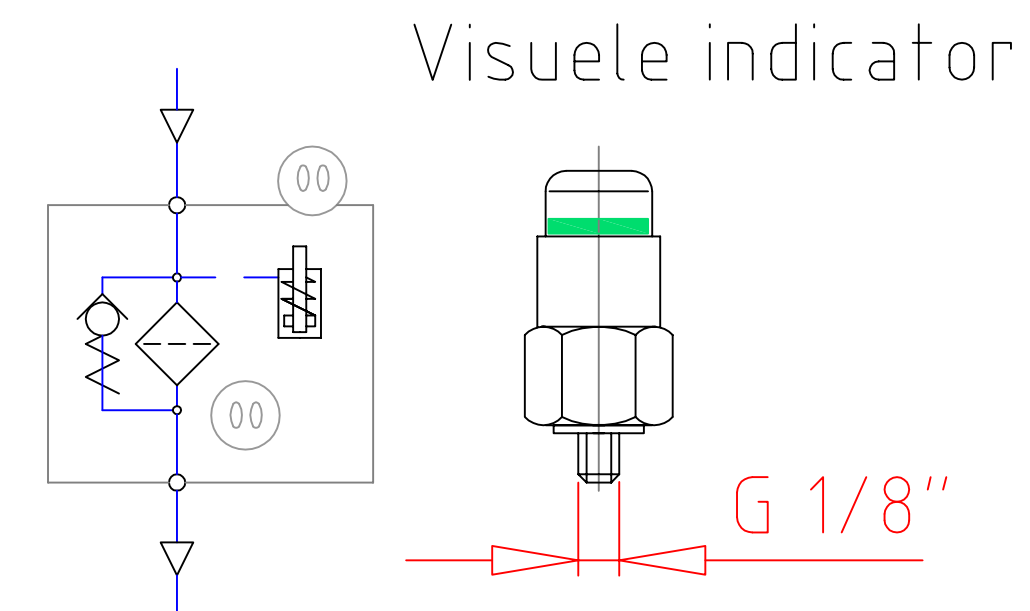
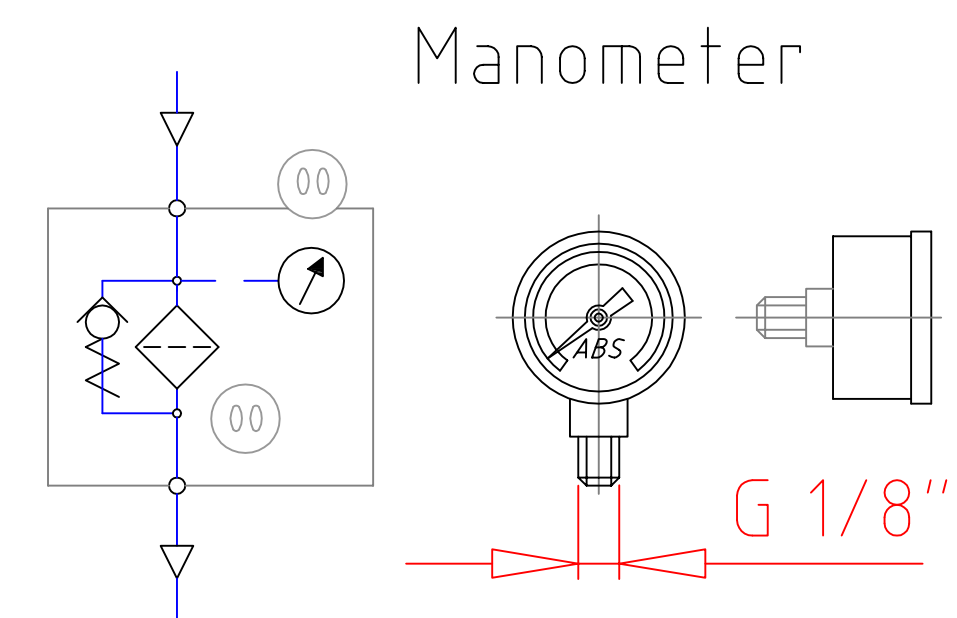
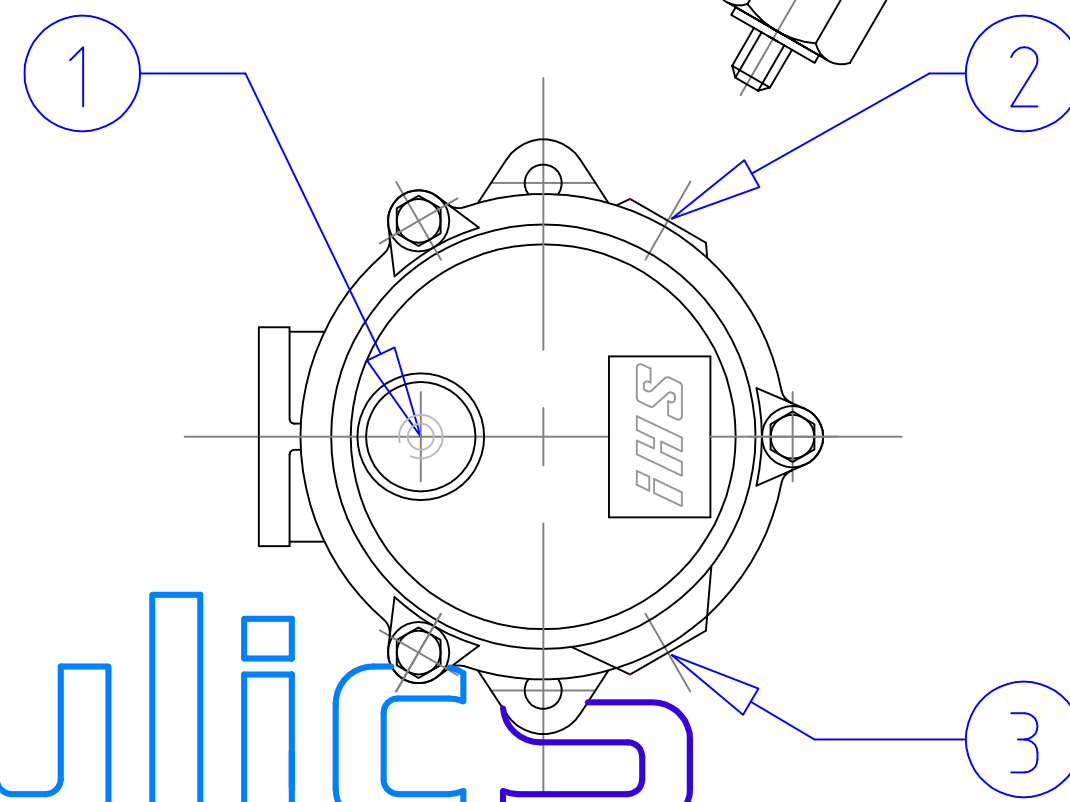


Indicator pos. 1-2-3.



Vervuilings signalering voor: HF 502.

Type:	Omschrijving.	Druk.	Spanning.	Aansl.
HHM02535	Manometer ø 43 mm.	0-10 Bar		1/8" BSP
HHI03001	Visuele signalering	1,2 Bar		1/8" BSP
HHI03014	Electr. signalering (NA-NC)	1,5 Bar	250VAC – 0,5 A.	1/8" BSP



Vervangings elementen voor: HF 502.

Element Type:		Afmetingen in mm.		
		Ø A	Ø B	C
HHC03423	HEK02-10.060-AS-SP010-VM-B17-B	26	52	75
HHC03936	HEK02-20.064-AS-SP010-VM-B17-B			
HHC03934	HEK02-20.064-AS-SP025-VM-B17-B	26	70	85
HHC00017	HEK02-20.064-AS-FB060-VM-B17-B			
HHC03554	HEK02-20.077-AS-SP010-VM-B17-B	29	70	95
HHC03577	HEK02-20.122-AS-RP010-VM-B17-B			
HHC03584	HEK02-20.122-AS-RP025-VM-B17-B	29	70	140
HHC10206	HEK02-30.195-AS-FG010-VM-B17-B			
HHC10192	HEK02-30.195-AS-RP010-VM-B17-B	41	99	212
HHC10191	HEK02-30.195-AS-RP025-VM-B17-B			
HHC10151	HEK02-30.195-AS-MI060-VM-B17-B			
HHC45980	HEK02-30.122-AS-RP025-VM-B17-B	52	130	139
HHC01205	HEK02-40.195-AS-RP025-VM-B17-B			
HHC00126	HEK02-40.195-FS-RP025-VM-B17-B	65	130	212
HHC12130	HEK03-40.200-FS-FBO60-VM-B17-B			
HHC12351	HEK03-40.390-FS-RP025-VM-B17-B	65	130	407

